

# TERMINAL TYPE TRANSMITTER

## TZ-5C



### Input Specifications

Sensor type K

Code No.	Temp. range
1	0 ~ 500°C
2	0 ~ 1000°C
Y	Special (0 ~ 1000°C) Span (300 ~ 1000°C)

### Output Specifications

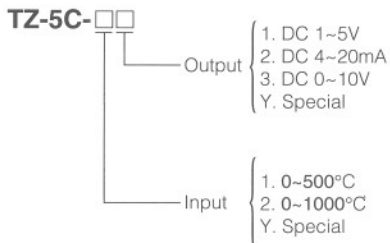
DC voltage or current

Code No.	Output
1	DC 1~5V
2	DC 4~20mA
3	DC 0~10V
Y	Special (Current less than 20mA) (Voltage less than ±10V)

### General Specifications

Accuracy:	±0.4% F.S
Temp. Coefficient:	±300ppm/°C F.S (TYP.)
Response Time:	Less than 0.5sec (0~90%) (TYP.)
Load Resistance:	DC1~5V more than 2kΩ DC4~20mA Less than 550Ω DC0~10V more than 4kΩ
Insulated resistance:	Input/output/power supply more than 100MΩ (DC500V)
Dielectric Strength:	Input/output/power supply AC2000V/1min.
Power Supply:	DC24V+15%, -5%
Power Consumption:	Less than 60mA
Operation Temp:	-5~50°C Less than 90%RH
Cold Junction Compensator:	±1°C at 20°C±10°C

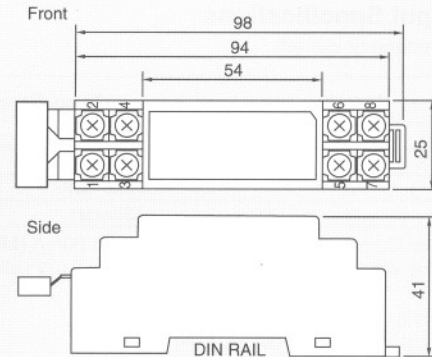
### Ordering Guide



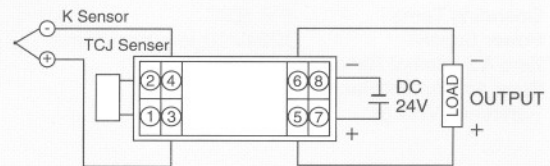
### Features

- Input TC sensor
- Isolated input/output/power supply
- DIN rail mount
- Small size and easy installation

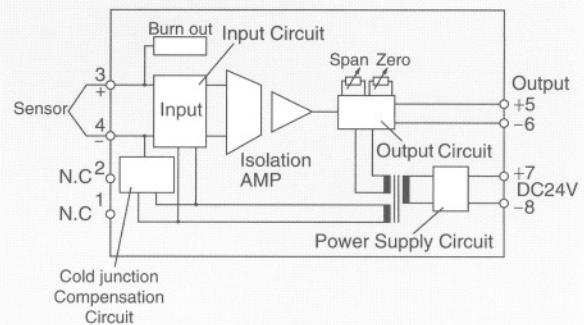
### Dimensions



### Connection Diagram



### Block Diagram



Sales, Service, Technical support

Topac Inc.

101 Derby St., Hingham MA 02043 USA  
 www.topac.com, sales@topac.com  
 Tel: 781 740 8778 Fax: 781 740 8779