

TERMINAL TYPE TRANSMITTER

TZ-5B



Input Specifications

Potentiometer (100 to 10K Ω)

Output Specifications

DC voltage or current

Code No.	Temp. Range
1	1 to 5V
2	4 to 20mA
3	0 to 10V
Y	Special

※ Special Current Output Range: Less than 20mA (Min. span 1mA)
Special Voltage Output Range: Less than $\pm 10V$ (Min. span 1V)

Allowable Load: More than 2K Ω (At 1 to 5V)
Resistance More than 4K Ω (At 0 to 10V)
Less than 550 Ω (At 4 to 20mA)

General Specifications

Accuracy: $\pm 0.25\%F.S$
Temp. Coefficient: $\pm 200ppm/^{\circ}C$ (Typ.)
Response Time: Less than 50mS (0 to 90%) (Typ.)
Dielectric Strength: Input/Output/Power supply AC2000V/1 min.
Insulated Resistance: Input/Output/Power supply more than 100M Ω
at DC500V
Operating Temp.: -5 to 50 $^{\circ}C$
Power Supply: DC24V $\pm 1\%$ less than 55mA
Zero Adjustment Range: 0 to 10%
Span Adjustment Range: 90 to 100%
Reference Voltage: 0.5V

Ordering Guide

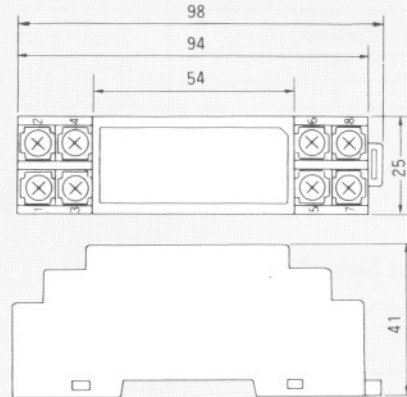
TZ-5B- Output Code

1.	1 to 5V
2.	4 to 20mA
3.	0 to 10V
Y.	Special

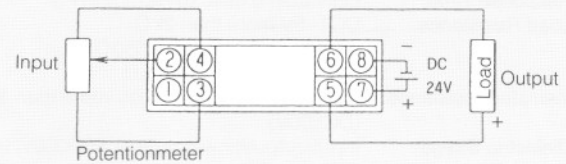
Features

- Isolated Input/Output/Power Supply
- DIN Rail mount
- Input Potentiometer

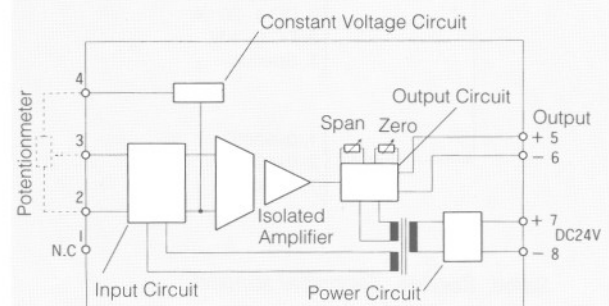
Dimensions



Connection Diagram



Block Diagram



Sales, Service, Technical support

Topac Inc.

101 Derby St., Hingham MA 02043 USA
www.topac.com, sales@topac.com
Tel: 781 740 8778 Fax: 781 740 8779