

TERMINAL TYPE TRANSMITTER

TZ-5H SERIES

NEW



■ Features

- Miniature size
- DIN rail mount
- Power supply 24V DC
- Easy connection

■ Input Specifications

Code No.	Input signal	Input resistance
0	DC0~5V	more than 1MΩ
1	DC1~5V	
2	DC0~10V	
A	DC4~20mA	250Ω
B	DC0~20mA	
Y		Special

*Code "Y" specifications

Voltage input: less than 250VDC (span 100mVDC)
Current input: less than 50mADC (span 1mADC)

■ Output Specifications

Code No.	Output signal	Input resistance
0	DC0~5V	more than 2KΩ
1	DC1~5V	more than 4KΩ
2	DC0~10V	
A	DC4~20mA	less than 550Ω
B	DC0~20mA	
Y		Special

*Code "Y" specifications

Voltage output: less than ±10VDC (span 1VDC)
Current output: less than 20mADC (span 1mADC)

■ General Specifications

Accuracy: ±0.25% F.S.
Temp. Coefficient: ±200 ppm/°C F.S.(Typ)
Response Time: Less than 50msec(0 to 90%)
Insulated Resistance: Input/Output/Power supply more than 100MΩ(500VDC)
Dielectric Strength: Input/Output/Power supply 2000VAC/1 min
Power Supply: 24VDC ±10% less than 60mA
Operating Temp: -5~+50°C, less than 90%RH
Weight: 80g

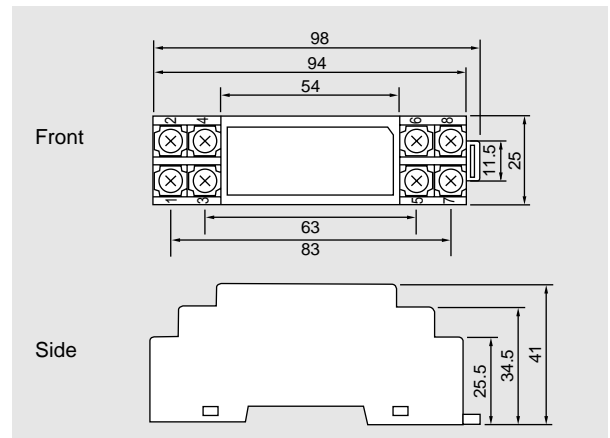
■ Ordering Guide

TZ-5H-□□

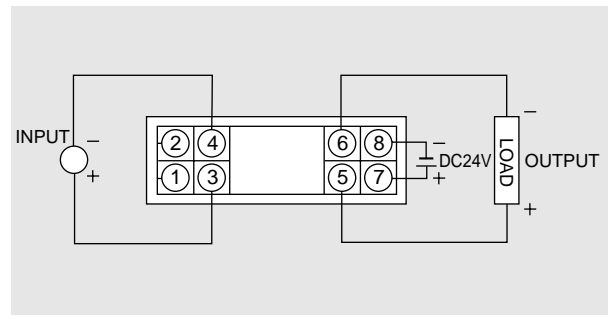
Output code 0. 0~5VDC
1. 1~5VDC
2. 0~10VDC
A. 4~20mADC
B. 0~20mADC
Y. Special

Input code 0. 0~5VDC
1. 1~5VDC
2. 0~10VDC
A. 4~20mADC
B. 0~20mADC
Y. Special

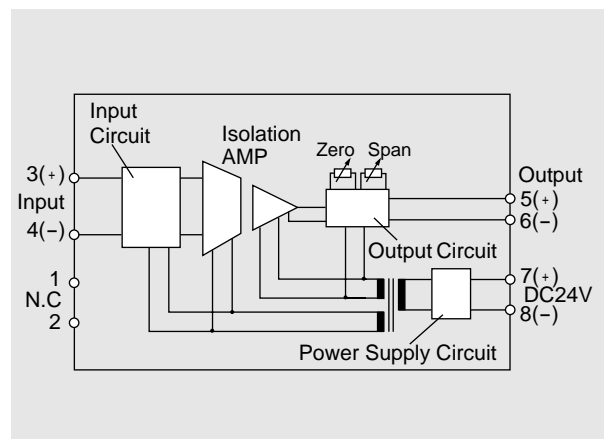
■ Dimensions



■ Connection Diagram



■ Block Diagram



Sales, Service, Support

Topac Inc.

www.topac.com, sales@topac.com

Tel: 781 740 8778 Fax: 781 740 8779

ASAHI KEIKI CO.,LTD.