

# TERMINAL TYPE TRANSMITTER

## TZ-5F



### Input Specifications

Code No.	Input
1	DC 0~10mV
2	DC 0~50mV
3	DC 0~100 $\mu$ A
Y	Special

Special specification

Current: less than 1mA, min span 10 $\mu$ A  
Voltage: less than 100V, min span 5mV

### Output Specifications

Code No.	Output
1	DC 1~5V
2	DC 4~20mA
3	DC 0~10V
Y	Special

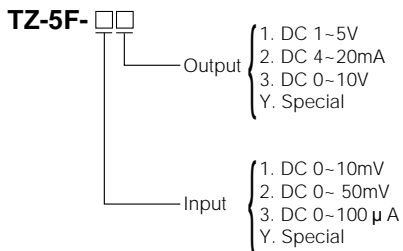
Special specification

Current: less than 20mA, min span 1mA  
Voltage: less than  $\pm$ 10V, min span 1V

### General Specifications

Load resistance:	More than 2K $\Omega$ ( at 1~5V) More than 4K $\Omega$ ( at 0~10V) Less than 550 $\Omega$ ( at 4~20mA)
Accuracy:	$\pm$ 0.25% F.S
Temp. coefficient:	$\pm$ 200ppm/ $^{\circ}$ C F.S (Typ.)
Response time:	Less than 0.1sec 0~90%
Dielectric strength:	Input/output/power supply AC2000V/l min.
Insulated resistance:	Input/output/power supply more than 100M $\Omega$ at DC500V
Operating temp.:	-5 $^{\circ}$ C~50 $^{\circ}$ C (less than 90% RH)
Power supply:	DC24V -5%, +15%

### Ordering Guide



Sales, Service, Support  
Topac Inc.

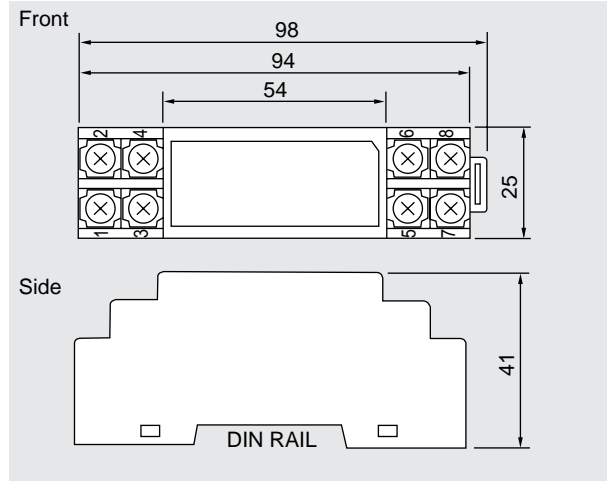
[www.topac.com](http://www.topac.com), [sales@topac.com](mailto:sales@topac.com)

Tel: 781 740 8778 Fax: 781 740 8778

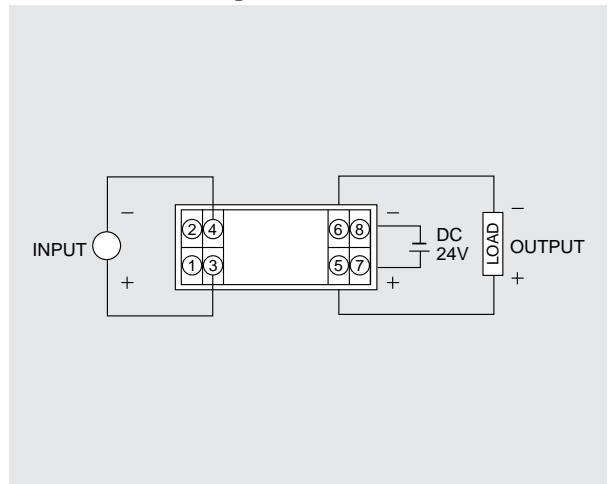
### Features

- Input small current and voltage
- Isolated input/output/power supply
- Power supply DC24V
- DIN rail mount
- Small size and easy installation

### Dimension



### Connection Diagram



### Block Diagram

