

# TERMINAL TYPE TRANSMITTER

## TZ-5D



### Input /Output Specification

Code No.	Input	Output
1	AC 0~1A	DC 1~5V
2	AC 0~1A	DC 4~20mA
3	AC 0~1A	DC 0~10V
4	AC 0~5A	DC 1~5V
5	AC 0~5A	DC 4~20mA
6	AC 0~5A	DC 0~10V
Y	Special	

#### Special

AC current input: Less than 0~5A, Min span AC1A  
 DC current output: Less than DC20mA, Min span DC1mA  
 DC voltage output: Less than DC±10V/Min span DC1V

Load resistance: DC 1~5V more than 2kΩ  
 DC 0~10V more than 4kΩ  
 DC 4~20mA less than 550Ω

### General Specifications

Accuracy: ±0.3% F.S  
 Input Frequency: 40Hz~1kHz  
 Temp. Coefficient: ±200ppm/°C (Typ.)  
 Response Time: Less than 0.5sec (0~90%)  
 Power Supply: DC24V+15% less than 55mA  
 -5%  
 Operation Temp: -5~50°C less than 90%RH  
 Insulated Resistance: Input/output/power supply more than 100MΩ(DC500V)  
 Dielectric Strength: Input/output/power supply AC1500V/1min.

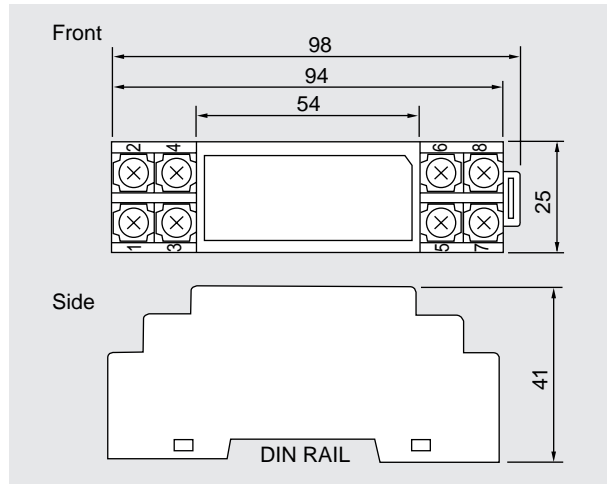
### Ordering Guide

TZ-5D-□	Input	Output
	1. AC 0~1A	DC 1~5V
	2. AC 0~1A	DC 4~20mA
	3. AC 0~1A	DC 0~10V
	4. AC 0~5A	DC 1~5V
	5. AC 0~5A	DC 4~20mA
	6. AC 0~5A	DC 0~10V
Y. Special		

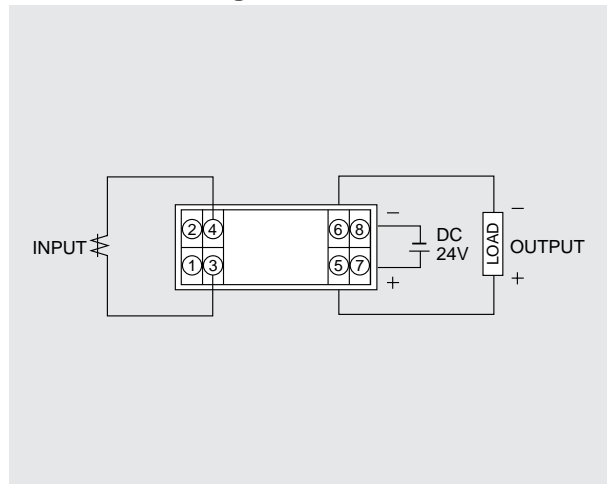
### Features

- Input AC current(True-RMS)
- Isolated input/output/power supply
- DIN rail mount
- Small size and easy installation

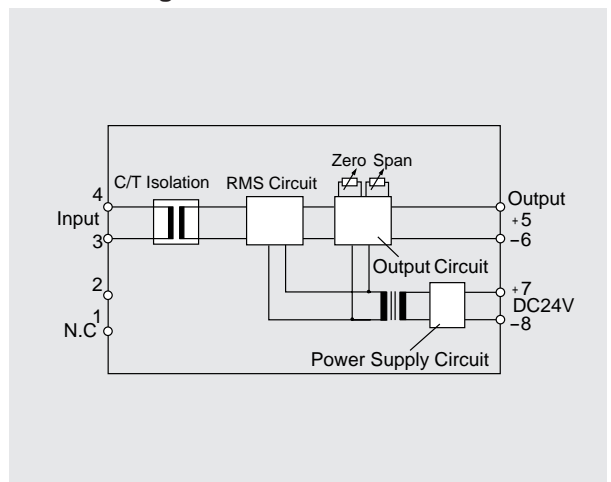
### Dimension



### Connection Diagram



### Block Diagram



Sales, Service, Support  
 Topac Inc.

www.topac.com, sales@topac.com

Tel: 781 740 8778 Fax: 781 740 8779