

TRANSMITTER WITH ONE INPUT AND TWO OUTPUTS

TW-2X

NEW



Input specifications

Code No.	Input signal	Input resistance
0	0-5V DC	More than 1M ohm
1	1-5V DC	
2	0-10V DC	
A	4-20mA DC	250 ohm
B	0-20mA DC	
Y	Other than the above	

Limit of Y specifications
Voltage input : 250VDC or less , Minimum span ; 100mVDC
Current input : 50mADC or less , Minimum span ; 1mADC

First output specifications

Code No.	Output signal	Load resistance
A	4-20mA DC	Less than 550 ohm
Y	Other than the above	

Limit of Y specifications
Current output : 20mADC or less , Minimum span ; 1mADC
Voltage output : From -10VDC to +10VDC
Minimum span ; 1VDC

Second output specifications

Code No.	Output signal	Load resistance
0	0-5V DC	Less than 2K ohm
1	1-5V DC	
2	0-10V DC	Less than 4K ohm
A	4-20mA DC	Less than 550 ohm
B	0-20mA DC	
Y	Other than the above	

Limit of Y specifications
Current output : 20mADC or less , Minimum span ; 1mADC
Voltage output : From -10VDC to +10VDC
Minimum span ; 1VDC

General specifications

Accuracy:	± 0.25% FS
Temperature characteristic:	± 200 ppm FS/ (TYP)
Response time:	Less than 50msec (0 to 90%)
Insulation resistance:	Between input and/output 1/output 2/power ; More than 100M (at 500VDC)
Dielectric strength:	Between input and/output 1/output 2/power ; For 1 min. at 2000VAC
Power supply voltage:	24VDC ± 10%
Current consumption:	Less than 110mA
Operating ambient temperature:	-5 to 50
Operating ambient humidity:	Less than 90% RH (No condensing)
Weight:	Approx. 130g
Accessories:	Instruction manual Terminal cover Detachable 6-P connector

Sales, Service, Support
Topac Inc.

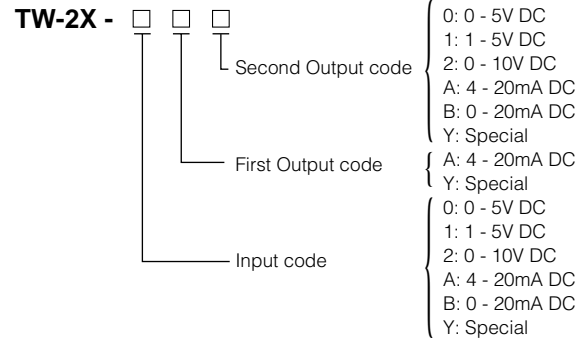
www.topac.com, sales@topac.com

Tel: 781 740 8778 Fax: 781 740 8779

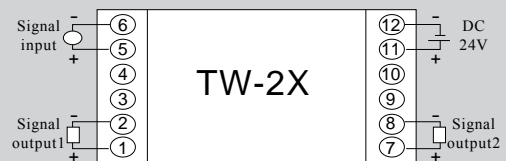
Features

- DIN rail mount
- 2 outputs
- Input/output1/output2/power supply Isolated

Ordering Code

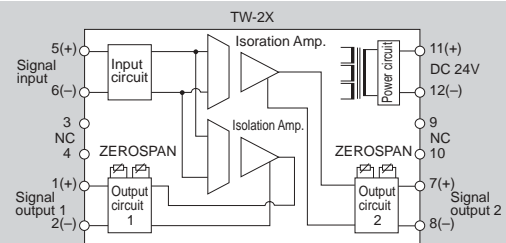


Connection Diagram



⚠ Note: Pay attention to the connection polarity.

Block Diagram



Dimensions

