

*K, J, PT-100Ω Input



TC Measuring Range

Sensor	Code	Measuring Range	Resolution	Accuracy (23°C±5°C)
K	KC	0°C~+1000°C	1°C	±0.8% F.S
	KF	32°F~+1832°F	1°F	±0.8% F.S
J	JC	0°C~+400°C	1°C	±0.8% F.S
	JF	32°F~+752°F	1°F	±0.8% F.S

RTD Measuring Range

Sensor	Code	Measuring Range	Resolution	Accuracy (23°C±5°C)
PT-100Ω	PA	-100.0°C~+199.9°C	0.1°C	±0.2% F.S
	PJ	-200°C~+600°C	1°C	±0.4% F.S
	PF	-328°F~+1112°F	1°F	±0.4% F.S

Specifications

Input Configuration: Single Ended
 Conversion Rate: 2.5/sec
 Normal Mode Rejection: More than 40dB (Typ.)
 Display: LED, 14.2mm 3 1/2 digits
 Polarity: A "-" is displayed automatically
 Power Supply: AC90~132V, AC180~264V
 Operating Temperature: 0~50°C, 35 to 85%RH
 Power Consumption: Approx. 2VA
 Dimensions: 48(H) × 96(W) × 95(D)mm
 Weight: Approx. 210g
 Dielectric Strength: Between input (Lo) terminal and earth, DC500V
 Between power supply terminal and input terminal, earth, common, AC1500V/min.
 Insulation Resistance: DC500V 100MΩ at above terminals

TC Measurement Section

Input Sensor: K or J
 Temperature Display: °C or °F
 Resolution: 1°C or 1°F
 External lead Resistance: Less than 100Ω
 Cold Junction Compensator Accuracy: ±2°C (10°C~40°C)
 Burn-out Alarm: -1999 Flashing
 Excessive Input: DC ±5V

RTD Measurement Section

Input Sensor: PT-100Ω
 Current for Resistance: 1mA (Typ.)
 Temperature Display: °C or °F
 Resolution: 0.1°C(PA), 1°C(PJ) or 1°F(PF)
 External lead Resistance: Less than 1Ω/lead

BCD Data Output (Isolated from input (Lo))

• At Open collector
 Measured data: Negative logic transistor "ON" at logic "1"
 Polarity signal: Transistor "ON" at plus input
 "OVER" signal: Transistor "ON" at overflow input
 Printing command signal: Transistor "ON" during a period of approx. 1ms at every measurement completion
 Transistor output capacity: Applied voltage, 30V max. current, 10mA max. Saturated output voltage less than 1.2V at 10mA (NPN)

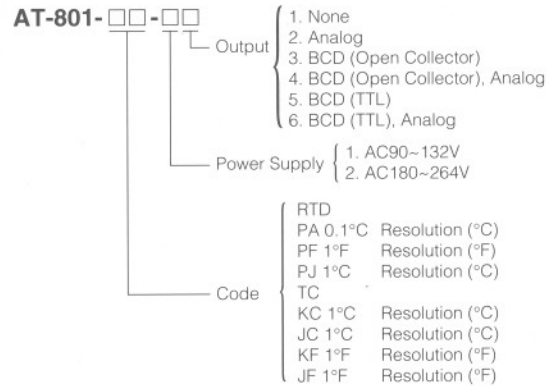
Analog output

Output Voltage: 0~5V DC (0°C to F.S. / 0°F to F.S.)
 Accuracy: ±2% F.S
 Load Resistance: More than 20kΩ

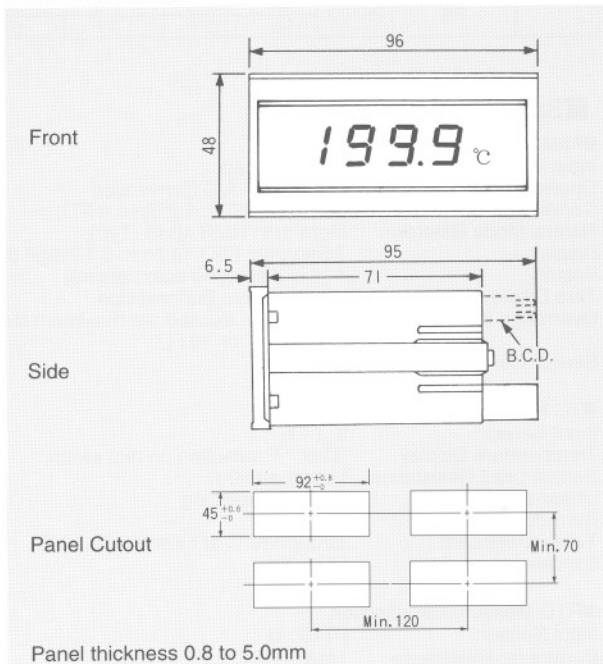
Features

- Bright LED, 14.2mm (Red)
- Screw terminals
- BCD, Analog output (option)
- Sensor types, K, J, PT-100Ω

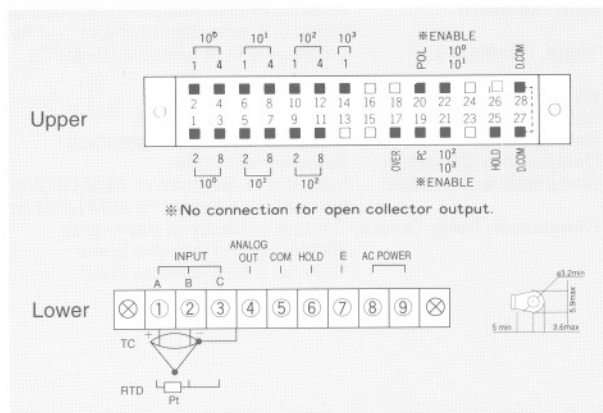
Ordering Code



Dimensions



Connection Diagram



Thermometer