

DC VOLTMETER & AMMETER

AP-341

*BCD Output(Option), 14.2mm LED



DC Voltage Measurement

Model	Range	Maximum Resolution	Input Impedance	Input Protection
AP-341-11	±199.99mV	10μV	100MΩ	±250V
AP-341-12	±1.9999V	100μV	100MΩ	±250V
AP-341-13	±19.999V	1mV	1MΩ	±250V
AP-341-14	±199.99V	10mV	1MΩ	±500V

Accuracy: ±0.03% rdg. ±1 digit(23°C±5°C)

Specifications

Input Configuration: Single Ended
 Input Bias Current: 100PA(Typ.)
 Conversion Rate: 2.5/sec
 Normal Mode Rejection: More than 50dB(50/60Hz)
 Zero Stability: Automatic Zero Adjustment
 Display: LED, 14.2mm 4 1/2 digit
 Decimal Point: Settable to any digit position
 Polarity: A "-" is displayed automatically
 Overrange Indication: When input exceeds the maximum display, 0000 flashes
 Power Supply: AC90~132V
 AC180~264V
 Operating Temperature: 0~50°C, 35 to 85%RH
 Power Consumption: 2VA
 Dimensions: 36(H)×72(W)×110(D)mm DIN Size
 Weight: Approx. 230g
 Dielectric Strength: Between input(Lo)and earth DC500V
 Between power supply terminal and input terminal. COM, case, AC1500V/1 min.
 Insulation Resistance: DC500V 100MΩ at above terminals

BCD Data Output(Isolated from input(Lo))

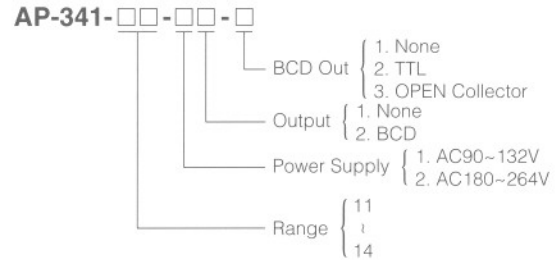
- At Open collector
 - Measured data: Negative logic transistor "ON" at logic "1"
 - Polarity signal: Transistor "ON" at plus input
 - "OVER" signal: Transistor "ON" at overflow input
 - Printing command signal: Transistor "ON" during a period of approx. 1ms at every measurement completion
 - Transistor output capacity: Applied voltage, 30V max current, 10mA max Saturated output voltage less than 1.2V at 10mA
- At TTL level
 - Measured data: Tri-state parallel BCD positive logic latch output
 - Polarity signal: "1" level at plus input
 - "OVER" signal: "1" level at overflow input
 - Printing command signal: A positive pulse of approx 1ms at every measurement completion
 - Each signal of the above: TTL level Fanout=2

* Each signal of the above can be changed to negative logic

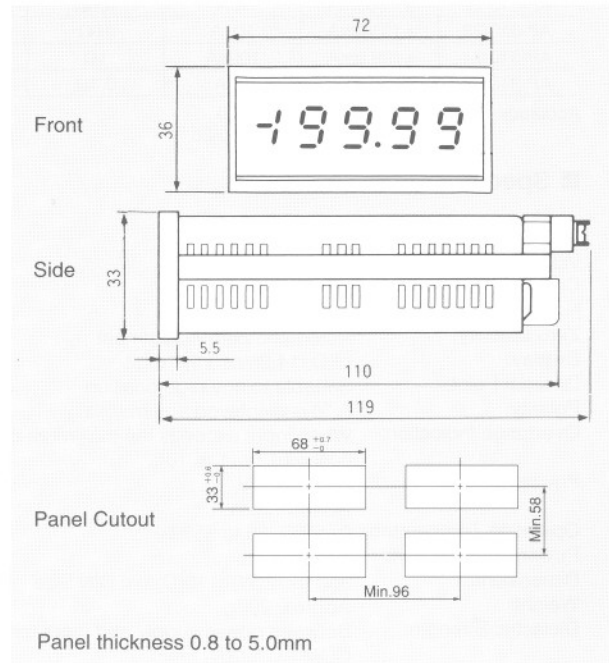
Features

- Bright LED 14.2mm(Red)
- BCD Output(option)
- AC90~132V, AC180~264V
- 200mV~200V Measurement
- Compact Size, 36(H)×72(W)×110(D)mm
- Screw terminal

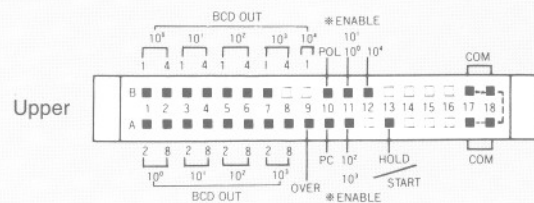
Ordering Code



Dimensions



Connection Diagram



* Not Connect to Open Collector output



Sales, Service, Technical support

Topac Inc.

101 Derby St., Hingham MA 02043 USA

www.topac.com, sales@topac.com

Tel: 781 740 8778 Fax: 781 740 8779