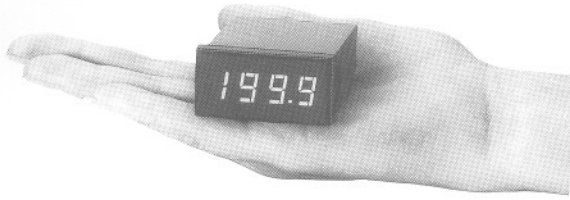


AP-202A

*ISOLATED Power Supply



■ DC Voltage Measurement

Model	Range	Maximum Resolution	Input Impedance	Input Protection
AP-202A-11	±199.9mV	100μV	100MΩ	±100V
AP-202A-12	±1.999V	1mV	100MΩ	±100V
AP-202A-13	±19.99V	10mV	10MΩ	±250V
AP-202A-14	±199.9V	100mV	10MΩ	±500V

Accuracy: ±0.1% rdg. ±1 digit (23°C ±5°C)

■ DC Current Measurement

Model	Range	Maximum Resolution	Internal Resistance	Input Protection
AP-202A-21	±199.9μA	100nA	1kΩ	±10mA
AP-202A-22	±1.999mA	1μA	100Ω	±50mA
AP-202A-23	±19.99mA	10μA	10Ω	±150mA
AP-202A-24	±199.9mA	100μA	*1Ω	±500mA
AP-202A-25	±1.999A	1mA	*0.1Ω	±3A

Accuracy: ±0.2% rdg. ±1 digit (23°C ±5°C)
±0.3% rdg. ±1 digit only for AP-202A-25

* These resistors are connected to the outside of the unit.

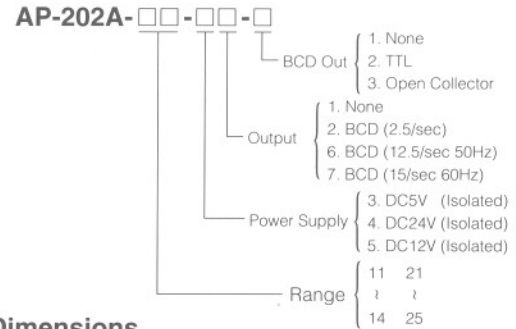
■ Specifications

Input Configuration:	Single Ended
Input Bias Current:	50pA (Typ.)
Conversion Rate:	2.5/sec or 12.5/sec (50Hz), 15/sec (60Hz)
Normal Mode Rejection:	40dB (Typ.) (50/60Hz)
Zero Stability:	Automatic Zero Adjustment
Display:	LED, 10.2mm 3 1/2-digit
Polarity:	A "-" is displayed automatically
Decimal Point:	Settable to any digit position
Overrange Indication:	When input exceeds the maximum display, 1999 flashes.
Power Supply:	DC5V ±5%, 120mA DC12V ±20%, 50mA DC24V ±20%, 25mA
Operating Temperature:	0~50°C, 35 to 85%RH
Power Consumption:	650 mW
Dimensions:	24(H) × 48(W) × 73(D)mm DIN Size
Weight:	Approx. 50g
Dielectric Strength:	Between Input (Lo) terminal and power supply (0V), DC ±500V Between power supply terminal and case, AC1500V/1 min.
Insulation Resistance:	DC500V 100MΩ at above terminals

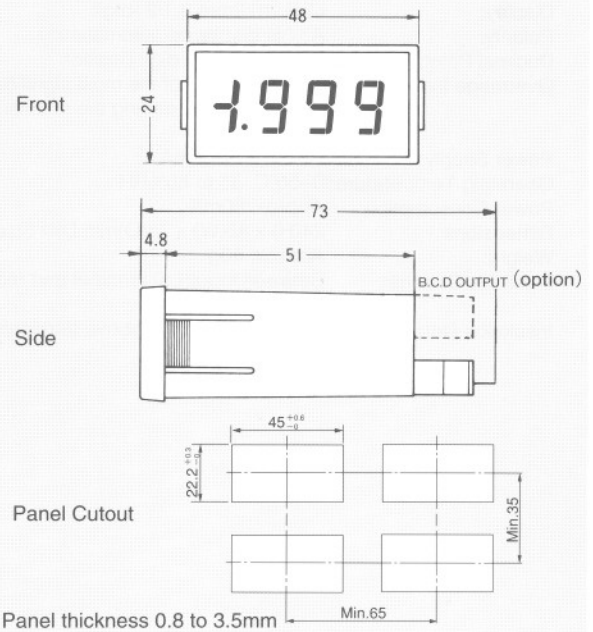
■ Features

- BCD (option)
- DC5V, DC12V, DC24V (Isolated)
- Bright LED 10.2mm (Red)
- Conversion Rate 2.5/sec or 12.5/sec (50Hz), 15/sec (60Hz)
- 200mV~200V, 200μA~2A Measurement

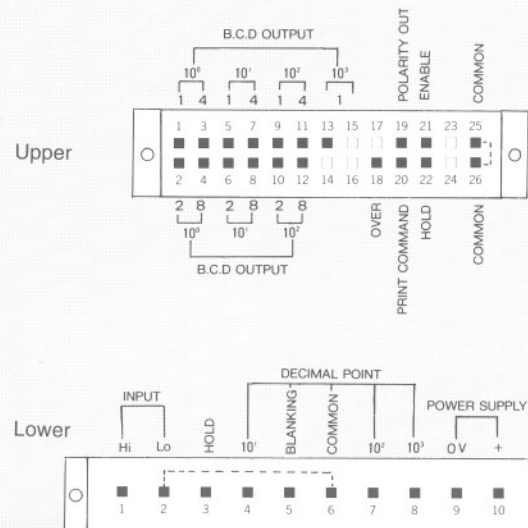
■ Ordering Code



■ Dimensions



■ Connection Diagram



Sales, Service, Technical support

Topac Inc.

101 Derby St., Hingham MA 02043 USA

www.topac.com, sales@topac.com

Tel: 781 740 8778 Fax: 781 740 8779