

* 1A, 5A Direct input, TRUE-RMS



AC Voltage Measurement

Model	Range	Input Impedance	Frequency Range	Input Protection
AP-168-11	99.99mV	1MΩ	40Hz~1kHz	10V
AP-168-12	999.9mV	1MΩ	40Hz~1kHz	100V
AP-168-13	9.999V	1MΩ	40Hz~1kHz	300V
AP-168-14	99.99V	1MΩ	40Hz~1kHz	300V
AP-168-15	700.0V	10MΩ	40Hz~1kHz	700V

Accuracy: ±0.2% rdg. ±20 digit (23°C ±5°C)
±0.3% rdg. ±20 digit only for AP-168-15

AC Current Measurement

Model	Range	Internal Resistance	Frequency Range	Input Protection
AP-168-21	99.99μA	1kΩ	40Hz~1kHz	10mA
AP-168-22	999.9μA	100Ω	40Hz~1kHz	50mA
AP-168-23	9.999mA	10Ω	40Hz~1kHz	150mA
AP-168-24	99.99mA	1Ω	40Hz~1kHz	500mA

Accuracy: ±0.5% rdg. ±20 digit (23°C ±5°C)

1A, 5A Measurement

Model	Range	Display Adjustable	Internal Resistance	Frequency Range	Input Protection
AP-168-25	0~1A	Fullscale 100~9999	0.1Ω	40Hz~1kHz	3A
AP-168-26	0~5A	Fullscale 100~9999	0.01Ω	40Hz~1kHz	8A

Accuracy: ±0.7% rdg. ±20 digit (23°C ±5°C)

Specifications

Input Configuration: Single Ended impedance approx. 1MΩ
Rectifier Circuit: True r.m.s. value is obtained by AC/DC converter in the analog operation method using transistor Vbe nlc

Conversion Rate: 2.5/sec
Response Speed: Approx. 1 sec (10~90%)
Zero Stability: Automatic zero adjustment
Display: LED, 14.2mm 4 digit
Decimal Point: Settable to any digit position
Zero Display: Leading zero suppression
Overrange Indication: When input exceeds up to 200%, flash and renew.
When input exceeds 200%, flash 0000

Power Supply: AC90~132V, AC180~264V
Operating Temperature: 0~50°C, 35 to 85%RH
Dimensions: 48(H) × 96(W) × 89(D)mm DIN Size
Weight: 250g
Dielectric Strength: Between input (Lo) and earth (E), COM, DC500V
Between power supply and input, earth (E), COM, AC1500V/1 min.

Insulation Resistance: DC500V 100MΩ at above terminals
Output: Parallel BCD open collector output sink current 10mA (MAX.) Vce 30V (MAX.)

- Data output
Isolated parallel BCD
- Overrange
When input exceed 9999, current sink
- Print command
Current sink for 1ms after measurement is finished

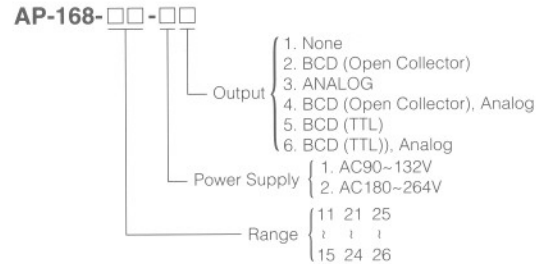
Analog Output:

- Voltage 0~1V
- Accuracy 0.5% F.S. (23°C ±5°C)
- Resolution 0.1mV/digit
- External Resistance 20kΩ or more

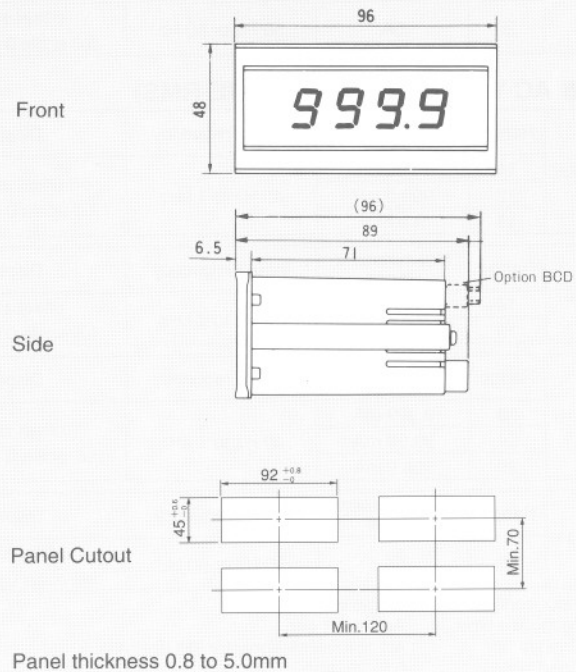
Features

- True R.M.S.
- Input 0~1A, 0~5A (Current Transformer)
can adjust fullscale 100~9999
- Leading Zero Suppression
- BCD, ANALOG Output (option)
- LED 4 digit (Red)

Ordering Code



Dimensions



Connection Diagram

