

AP-160

*For Line Monitor



■ AC Voltage Measurement

Model	Range	Input Impedance	Frequency Range	Input Protection
AP-160-14	199.9V	10MΩ	40Hz~1kHz	700V
AP-160-15	600V	10MΩ	40Hz~1kHz	700V

Accuracy: 14-Range $\pm 0.2\%$ F.S. ± 3 digits (23°C $\pm 5^\circ\text{C}$)
 15-Range $\pm 0.3\%$ F.S. ± 3 digits (23°C $\pm 5^\circ\text{C}$)

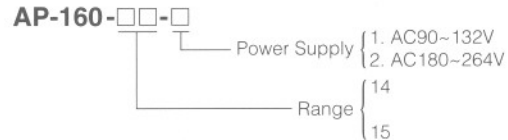
■ Specifications

Input Configuration: Single ended
Rectifier Circuit: Represents effective value by demodulation of mean value
Conversion Rate: 2.5/sec
Response Speed: Approx. 4.5 sec at fullscale
Zero Stability: Automatic zero adjustment
Display: LED, 14.2mm 3 1/2-digit
Overrange Indication: 14-range: When input exceeds the maximum display, 199.9 flashes
 15-range: Does not work overrange system, Do not apply more than 700V
Power Supply: AC90~132V, AC180~264V
Operating Temperature: 0~50°C, 35 to 85%RH
Power Consumption: Approx. 2.5VA
Dimensions: 48(H) x 96(W) x 95(D)mm DIN Size
Weight: Approx. 250g
Dielectric Strength: Between input terminal(Lo) and earth, DC500V
 Between power supply terminal and input terminal, common, earth, AC1500V/1 min.
Insulation Resistance: DC500V 100MΩ at above terminals

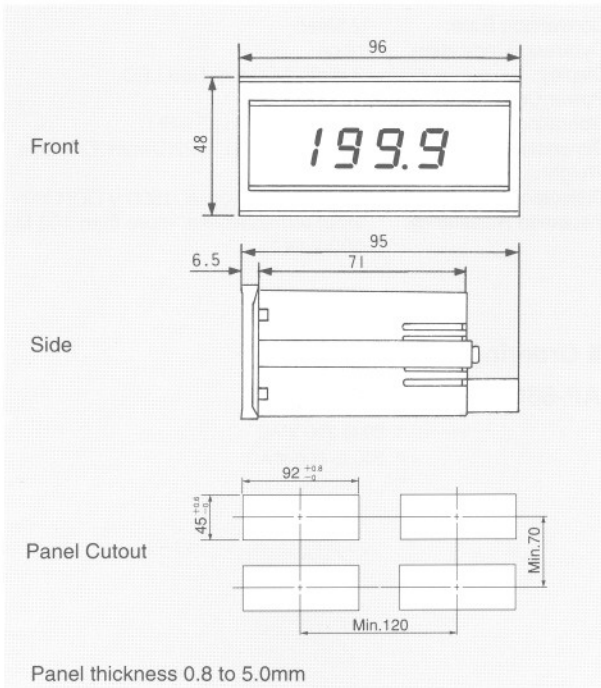
■ Features

- Average
- Low Cost
- For line monitoring
- Bright LED, 14.2mm(Red)
- AC 200V, 600V Measurement

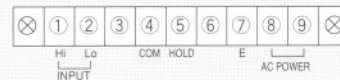
■ Ordering Code



■ Dimensions



■ Connection Diagram



Sales, Service, Technical support

Topac Inc.

101 Derby St., Hingham MA 02043 USA
 www.topac.com, sales@topac.com
 Tel: 781 740 8778 Fax: 781 740 8779