

BCD REMOTE INDICATOR

AI-304



BCD Parallel input

Model code	Input Level	Pull-up Resistance *
AI-304-1	TTL	4.7KΩ
AI-304-2	CMOS	100KΩ

*internal pull-up

Specifications

- Data input :** BCD parallel input (can change positive or negative logic by front switch)
-9999
- Max. display :** DC5V(CMOS/TTL level)
- Display :** LED, 14.2mm (Red)
- Polarity :**
- At positive logic; polarity terminal open or level 1
 - At negative logic; polarity terminal and COM short or level 0
- Leading zero suppression**
- Zero display :**
- Data latch
 - At positive logic; each latch terminal open or logic 1
 - At negative logic; each latch terminal and COM short or level 0
 - Decimal point
 - Settable to any digit position
- External control :**
- Operating temp. :** 0 to 50°C 35 to 85%RH
- Power supply :** DC24V±20%
- Power consumption :** 55mA (TYP)
- Dimensions :** 72(W)×36(H)×119(D)mm DIN size
- Weight :** approx. 140g
- Dielectric strength :** Power supply (0V)/COM, DC500V/min.
Power supply (0V)/case, AC1500V/min.
- Insulation resistance :** DC250 V more than 100MΩ

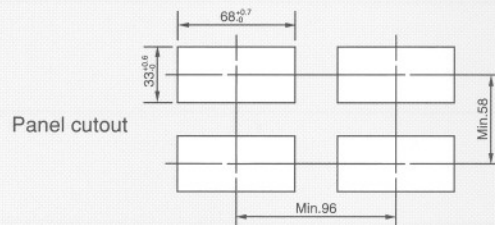
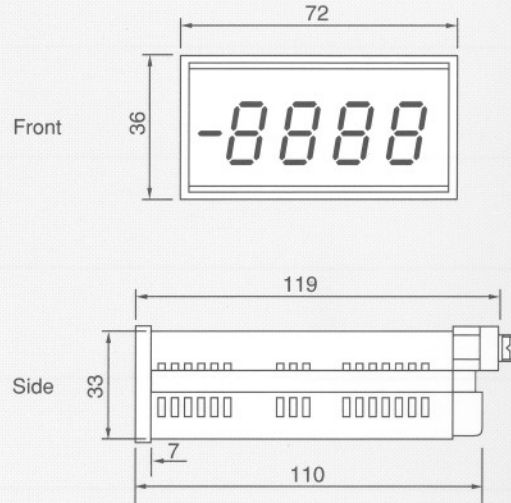
Ordering Code



Features

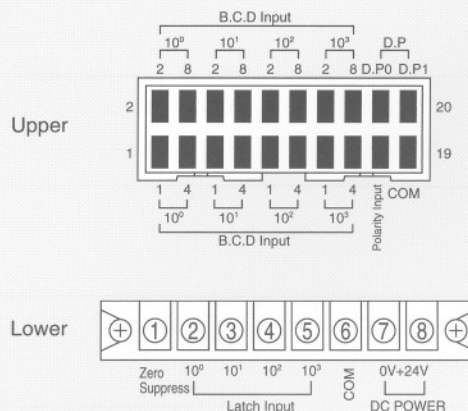
- BCD Parallel input
- 4 digits
- Leading zero suppression
- Bright LED, 14.2 mm

Dimensions



Panel thickness 0.8~5.0mm

Connection diagram



*Upper terminal COM and lower terminal COM are internally connected.

Sales, Service, Technical support
Topac Inc.

101 Derby St., Hingham MA 02043 USA
www.topac.com, sales@topac.com
Tel: 781 740 8778 Fax: 781 740 8779