

# DIGITAL PANEL METER

## A2200

**NEW!**



### ■ Features

- LED hight 10mm
- Power supply 5 to 24VDC (Isolation)
- 4 1/2 digit

### ■ DC Voltage Measurement

Range	Measurement Range	Input Impedance	Input Protection	Accuracy
12	±1.999V	100MΩ	±50V	± (0.1% of F.S)
13	±19.99V	1MΩ	±250V	
14	±199.9V			

### ■ Power supply

#### ● Isolation type

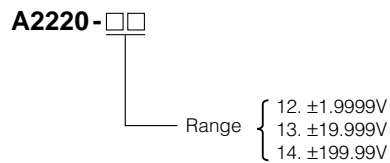
Voltage: 5 to 24VDC  
Consumption: 100mA

### ■ Specification

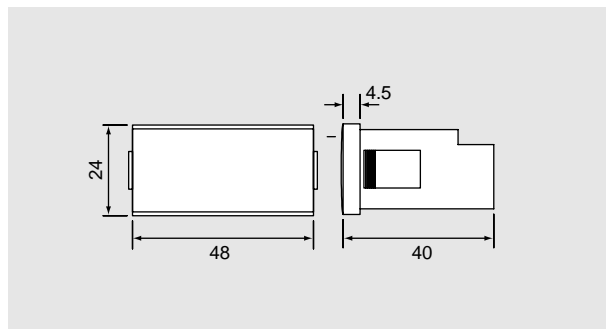
Input configuration: Single Ended  
Conversion rate: 2.5/sec  
Max display: 19999  
Overrange indication : When input exceeds the maximum display, 0000 or -0000 flashes  
Display : Red LED, 10mm  
Polarity : A "-" is displayed automatically  
Decimal point : Settable to any digit position by front SW  
External control : Hold  
Operating Temp. : 0 to 50°C 35 to 85% RH  
Dimensions : 48mm(W)×24mm(H)×39.7mm(D) DIN size  
Weight : 40g  
Dielectric strength : Power supply and input terminal at 500VDC/1min  
Case and each terminals at 1500VAC/1min  
Insulation resistance : 500VDC 100MΩ at the above terminals

\* Replacement for AP-241A, AP-242A, AP-244A(no option)

### ■ Ordering Code



### ■ Dimensions



### ■ Panel Cutout

