

A2100 DIGITAL PANEL METER

NEW!



■ Features

- LED height 10mm
- Power supply 5VDC or 5 to 24VDC
- 3 1/2 digit

■ DC Voltage Measurement

Range	Measurement Range	Input Impedance	Input Protection	Accuracy
11	±199.9mV	100MΩ	±50V	±(0.1% of F.S)
12	±1.999V			
13	±19.99V			
14	±199.9V	1MΩ	±250V	

■ DC Current Measurement

Range	Measurement Range	Input Impedance	Input Protection	Accuracy
22	±1.999mA	100Ω	±50mA	±(0.2% of F.S)
23	±19.99mA	10Ω	±150mA	
24	±199.9mA	1Ω	±500mA	
25	±1.999A	0.1Ω	±3A	

■ Power supply

● Non-isolation type

Voltage: 5VDC±5%
Consumption: 60mA

● Isolation type

Voltage: 5 to 24VDC
Consumption: 100mA

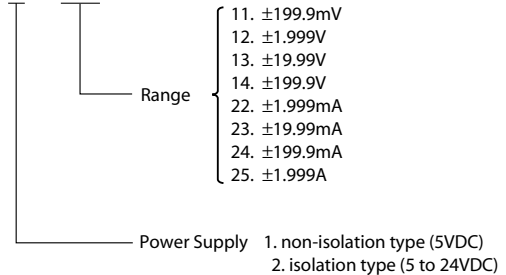
■ Specification

Input configuration: Single Ended
Conversion rate: 2.5/sec
Max display: 1999
Overrange indication : When input exceeds the maximum display, 0000 or -0000 flashes
Display : Red LED, 10mm
Polarity : A "-" is displayed automatically
Decimal point : Settable to any digit position by front SW
External control : Hold
Operating Temp. : 0 to 50°C 35 to 85% RH
Dimensions : 48mm(W) × 24mm(H) × 39.7mm(D) DIN size
Weight : 40g
Dielectric strength : Power supply and input terminal at 500VDC/1min
Case and each terminals at 1500VAC/1min
Insulation resistance : 500VDC 100M Ω at the above terminals

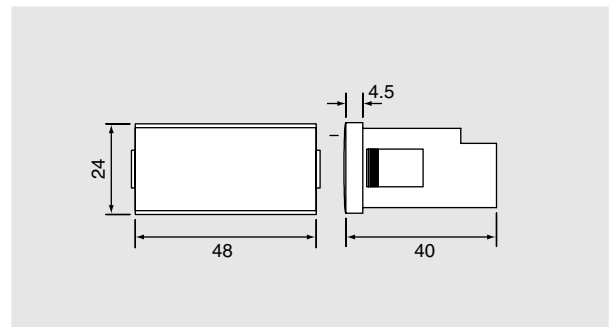
* Replacement for AP-200, AP-201A, AP-202A(no option)

■ Ordering Code

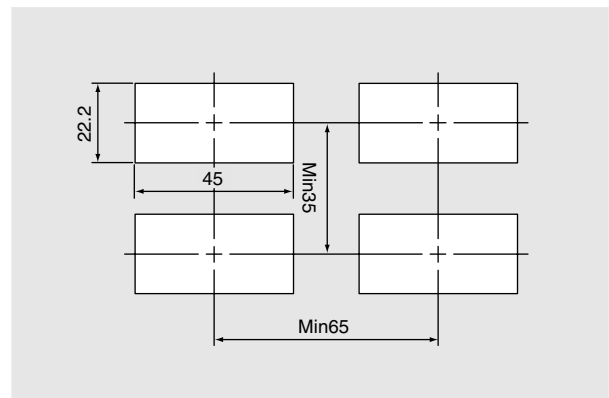
A21 □ 0 - □ □



■ Dimensions



■ Panel Cutout



Distributed by:

Topac Inc

PO Box 660

Cohasset MA 02025

Tel 781 740 8778, Fax 781 740 8779

Email sales@topac.com

web www.topac.com, www.instrumentsonline.com

ASAHI KEIKI CO.,LTD.